

# EPIC-7T

## IP CCTV Transmitter

POWER, VIDEO and DATA OVER COAX

## Master Transmitter EPIC-7T



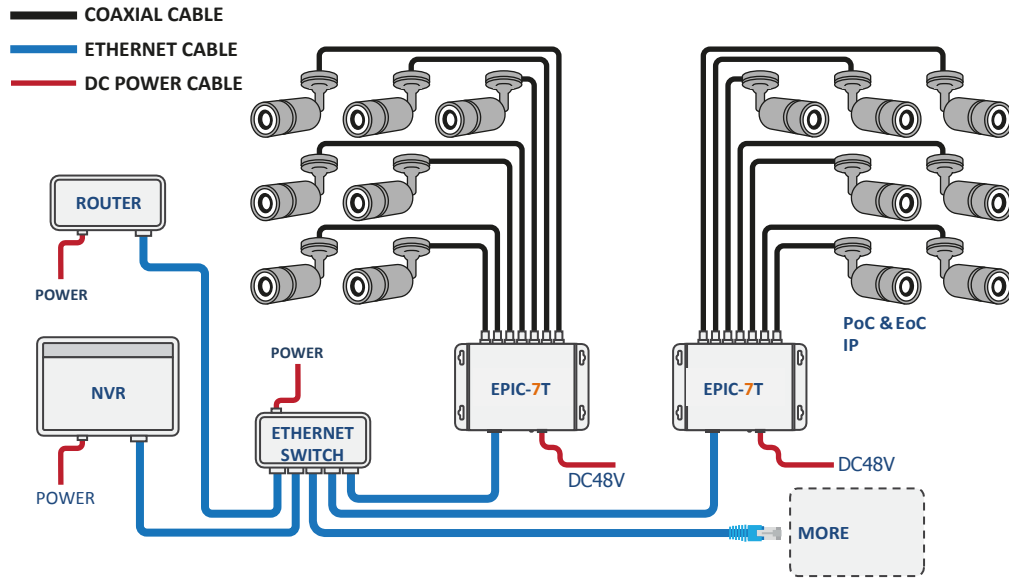
- The most economical way to upgrade an analogue camera system into an IP camera system
- Full duplex 100Base-TX performance on each channel
- Data rates up to 500Mbps, transmits power and video up to a distance of more than 300M
- One-stop power supply, less cable required, covers all hard-to-reach locations
- Come with 8-channel network switch function, Plug & Play
- Reliable & stable transmission, anti-jam, no latency

## Overview

This EPIC (Ethernet and Power In Coax) transmitter is capable of transmitting both power & data for 7 IP cameras on RG59 coaxial cable for 300M+ each camera.

The transmission system supports any ONVIF multi-megapixel IP camera using legacy or new coaxial cable and saves on installation costs. It is transparent on the network, requiring no configuration or set-up, so is truly “plug & play” and highly reliable.

## Multi-channel EPIC System Diagram



## Specification

CAMERA	
Connector type	BNC 75ohm x 7
Cable type	75ohm RG59 coaxial cable
Range	300+m (1000ft) per channel
Bandwidth	500Mbps~1Gbps (totalup+down)
VIDEO	
Connector type	RJ45
Cable type	Straight through or cross-over, auto detected
Range	100+m(350ft)
NETWORK	
Input Voltage	AC100V ~AC240V
Output Voltage	DC48V
Supply Current	3000mA
ELECTRICAL	
ON	Normal power supply
OFF	No power supply or abnormality in the circuit (Over-loaded protection)
ELECTRICAL	
Dimensions	L152mm x W105mm x H35mm
Weight	350g
Working temperature	-10°C to 50°C
Relative humidity	85% non-condensing