

# EPIC-8T

## IP CCTV Transmitter

POWER, VIDEO and DATA OVER COAX

- The most economic way to upgrade an analogue camera system into an IP camera system
- Data rates up to 500Mbps, transmit distance covers more than 300M
- One-stop power supply, less cable required, covers all hard-to-reach locations
- Come with 8-channel network switch function, Plug & Play
- Reliable & stable transmission, anti-jam, no latency
- Short-circuit protection, auto-recovery after circuit is repaired

## Master Transmitter EPIC-8T



## Slave Receiver EPIC-R

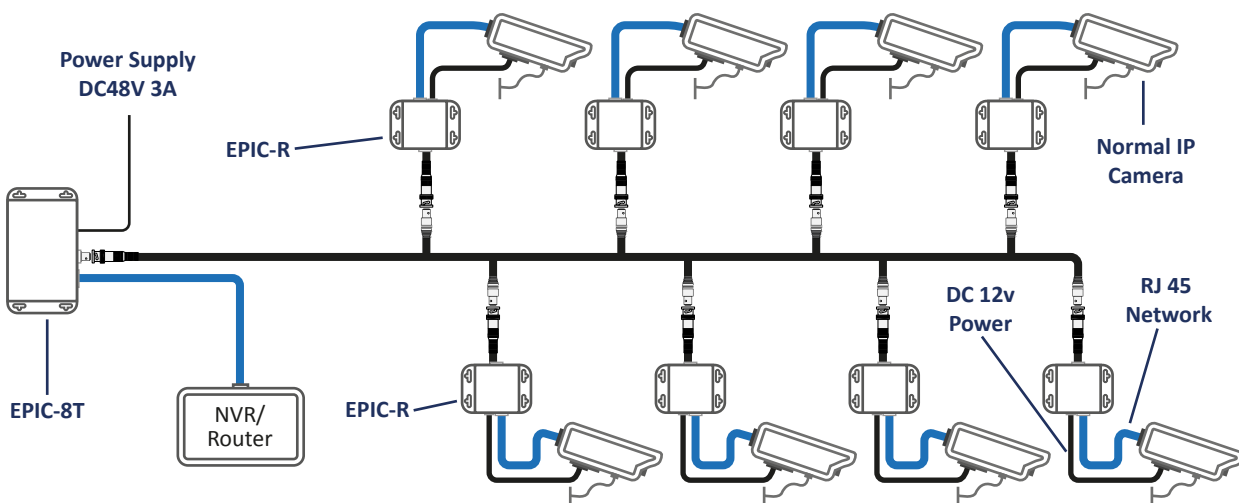


## Overview

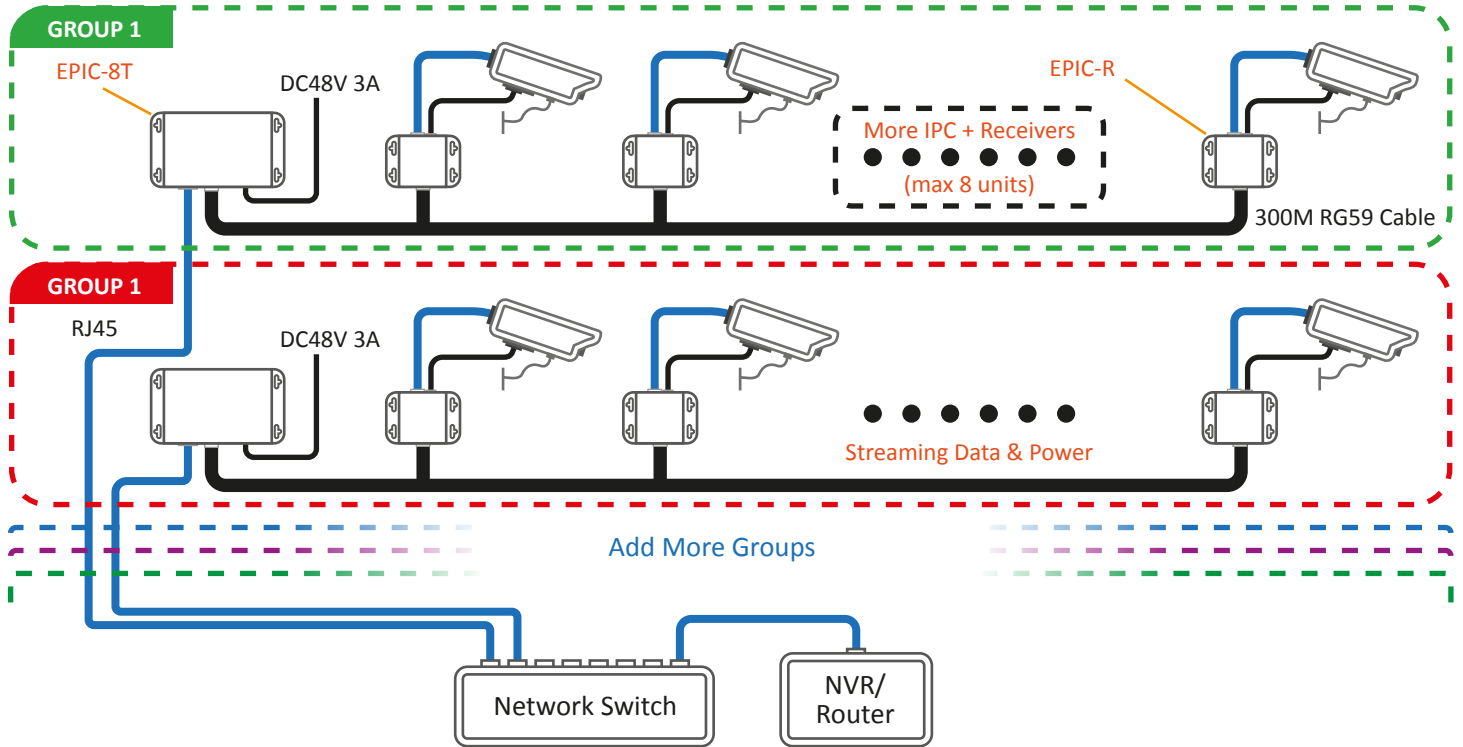
This EPIC (Ethernet and Power In Coax) transmitter is capable of transmitting both power & data for 8 IP cameras on ONE RG59 coaxial cable for 300M+.

The transmission system supports any ONVIF multi-megapixel IP camera using legacy or new coaxial cable and saves on installation costs. It is transparent on the network, requiring no configuration or set-up, so is truly "plug & play" and highly reliable.

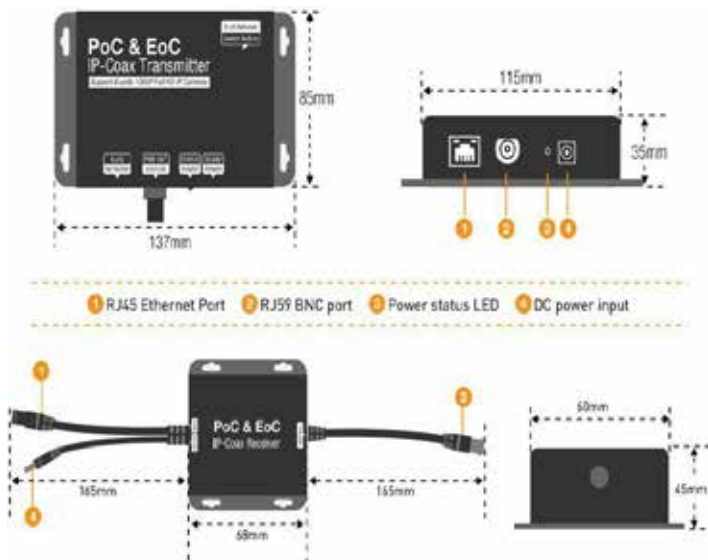
## 8 Camera EPIC System Diagram



## Multi-channel EPIC System Diagram



## Dimensions



## Specification

NETWORK	
Frequency Band	2 – 68 MHz
Network Standard	IEEE 1901 and HomePlug AV
Modulation Technology	Windowed OFDM
Hardware Encryption	AES 128-bit
Memory Interface	Internal
Supported Data Rates	500Mbps PHY rate
Low Power Design	EuP Low Power Directive
Input Interface	1 x DC, 1 x BNC
Output Interface	1 x RJ45
Power Supply	DC 48V 3A